

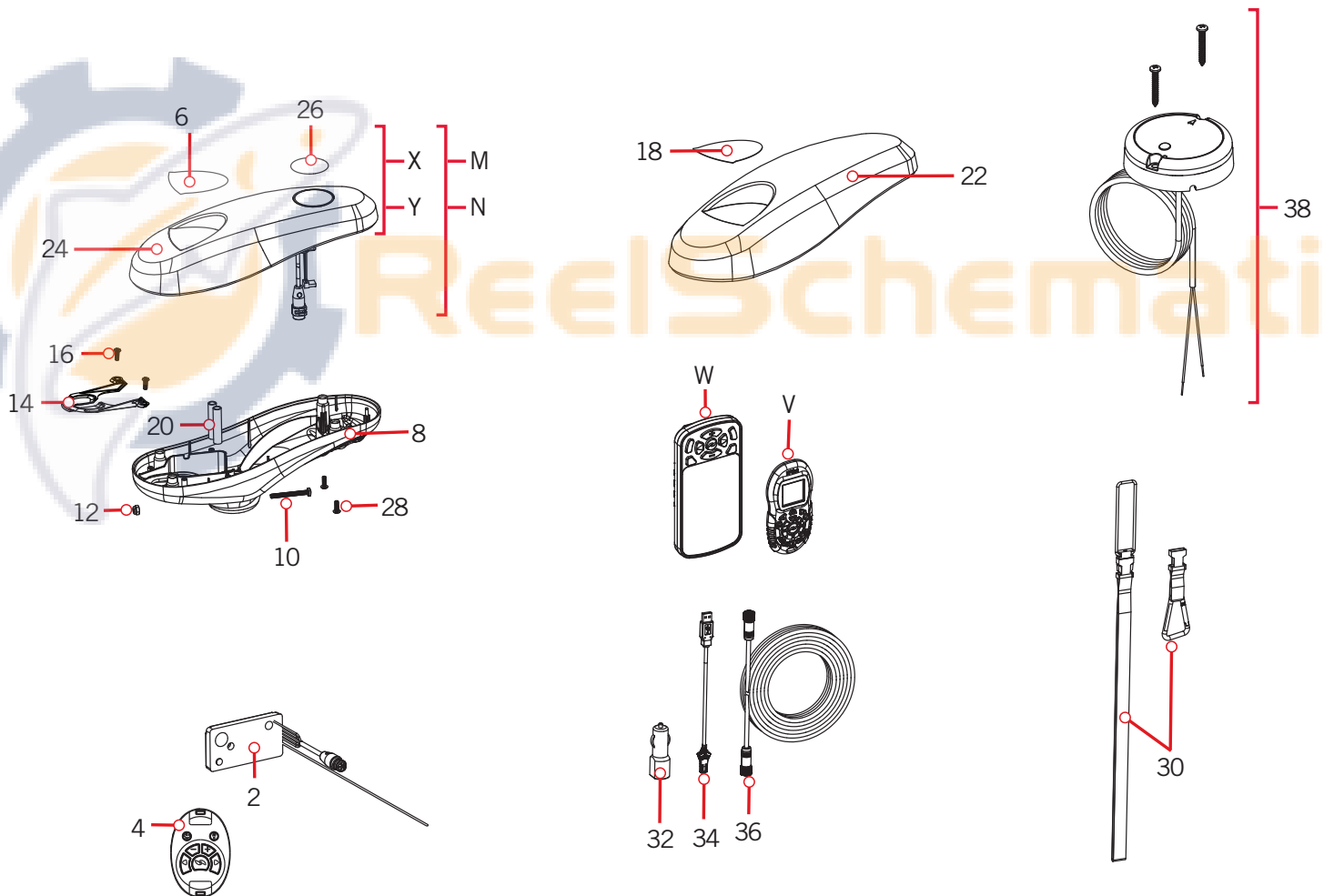
PARTS DIAGRAM & PARTS LIST

RIPTIDE TERROVA - 55/80/112 LBS THRUST - 12/24/36 VOLT - 54"/60"/72" SHAFT

The parts diagram and parts list provides Minn Kota® WEEE compliance disassembly instructions. For more information about where you should dispose of your waste equipment for recycling and recovery and/or your European Union member state requirements, please contact your dealer or distributor from which your product was purchased. Tools required, but not limited to: flat head screwdriver, Phillips screwdriver, socket set, pliers, wire cutters.

RIPTIDE TERROVA CONTROL HEAD >

> Control Head Parts Diagram



PARTS DIAGRAM & PARTS LIST

› Control Head Parts List

Assembly	Part #	Description	Quantity
M	2774178 ◆	MOTOR KIT, iPLT 1.6 RT TERROVA *I-PILOT RECEIVER*	1
N	2774179 ●	MOTOR KIT, iPLT 3.0 RT TERROVA *I-PILOT LINK RECEIVER*	1
V	2994075 ◆	REMOTE ASSY, IPILOT 1.6	1
W	2994076 ●	REMOTE ASSY, IPILOT LINK *LINK ONLY*	1
X	2770235 ◆	COVER KIT, iPLT 1.6 RT TERROVA *I-PILOT COVER & DECALS ONLY*	1
Y	2770236 ●	COVER KIT, iPLT 3.0 RT TERROVA *I-PILOT LINK COVER & DECALS ONLY*	1
Item	Part #	Description	Quantity
▲	✘	SEAL,BUNG LOWER	1
▲	✘	SEAL,BUNG UPPER,SW	1
2	2994097 ●	TRANSMITTER ASY,TRRV CPLT *COPILOT*	1
4	2374197 ●	PCB ASY COPLT REC. TERROVA *COPILOT*	1
6	2395551 ◆●	DECAL, COVER, RT, TERROVA 55 *55LB THRUST*	1
	2395555 ◆●	DECAL, COVER, RT, TERROVA 80 *80LB THRUST*	1
	2325635 ◆	DECAL, COVER, RT, TERROVA 112 *112LB THRUST*	1
▲	2256300	TIE WRAP-5.5" BLACK	2
8	2292501	CONTROL BOX, SW ST	1
10	2263406	SCREW-#10-24 X 2" SS PPH	1
12	2333101	NUT-HEX #10-24 UNC-2B NYL SS	1
14	2224707	INSERT-PLUG	1
16	2372103	SCREW. #6 x 3/8 PLASTITE	2
18	2325633 ●	DECAL COVER, RT, T2 80	1
▲	9950433	TIE WRAP-4" BLACK	2
20	2305402	SHRINK TUBE-.374 OD X 2.25"	2
22	2290213	COVER,CTRL BOX, RT PD PRINTED *COPILOT* 80LB THRUST*	1
24	2292501	CONTROL BOX, SW ST	1
26	2395546 ◆	DECAL, DOMED IPILOT SW *IPILOT*	1
	2395548 ●	DECAL, DOMED, iPILOT LINK SW *iPILOT LINK*	1
28	2372100	SCREW-#8-18 X 5/8 THD (SS)	7
30	2390800 ◆●	LANYARD, REMOTE W/ CARABINER	1
32	2395900 ●	ADAPTER, USB DC POWER *LINK ONLY*	1
34	2373241 ●	CABLE, USB REMOTE CHARGER *LINK ONLY*	1
36	490389-1 ●	CABLE, ETHERNET, 30' * LINK ONLY*	1
38	2996400	HEADING SENSOR ASSEMBLY	1
▲	2397106◆	MANUAL, QUICK REF., IPILOT 1.6	1
▲	2397107 ●	MANUAL, QUICK REF., IPILOT LINK 3.0	1

● Only available with models factory installed with CoPilot.

◆ Only available with models factory installed with i-Pilot.

▲ Not shown on Parts Diagram.

● Only available with models factory installed with i-Pilot Link.

✘ This part is included in an assembly and cannot be ordered individually.

PARTS DIAGRAM & PARTS LIST



Item	Part #	Description	Quantity
▲	2397100 ◆	MANUAL, iPILOT 1.6	1
▲	2397102 ●	MANUAL, iPILOT LINK 3.0	1
▲	2297165	MANUAL - DISCLAIMER, DOWNLOAD INFO	1
▲	2327133	INSTALLATION INSTRUCTIONS TERROVA	1
▲	2327131	MANUAL TERROVA BT SW	1
▲	2015800	HANG TAG "CAUTION TILT HINGE"	1
▲	2394900 ◆●	INSTRUCTIONS, HEADING SENSOR	1



ReelSchematic

● Only available with models factory installed with CoPilot.

▲ Not shown on Parts Diagram.

✘ This part is included in an assembly and cannot be ordered individually.

◆ Only available with models factory installed with i-Pilot.

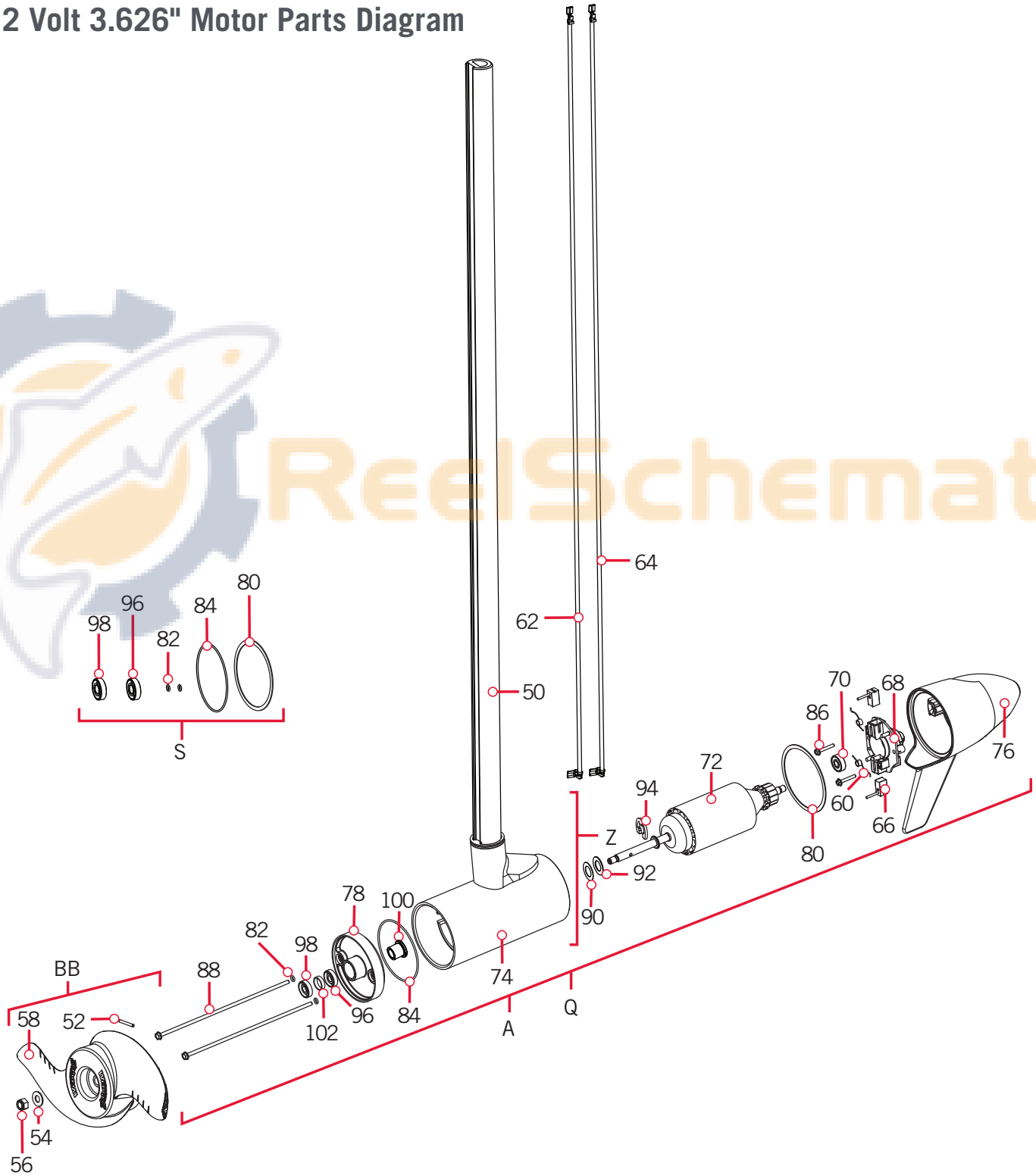
● Only available with models factory installed with i-Pilot Link.



PARTS DIAGRAM & PARTS LIST

RIPTIDE TERROVA MOTOR

12 Volt 3.626" Motor Parts Diagram



PARTS DIAGRAM & PARTS LIST

12 Volt 3.626" Motor Parts List

Assembly	Part #	Description	Quantity
A	2779034	MTR/TUBE ASM 55# 54" RT TRV BT *MOTOR & TUBE* *54"* *3.625*	1
Q	2779036	MTR/TUBE ASM 55# 60" *MOTOR & TUBE* *60"* *3.625* *EUROPE ONLY*	1
Z	2779307	CTR HSG, CB, 55#, SW 60" *UP TO 60"* *TUBE* *3.625*	1
BB	1378131	PROP IND 2091160 WDL5 WDG II *3.625* *55LB THRUST*	1
S	2888460	SEAL & O-RING KIT *55LB THRUST* *3.625*	1
Item	Part #	Description	Quantity
50	✘	TUBE-COMP,WHT,54",1/4" WALL,T2 *54"* *55 LBS*	1
	✘	TUBE-COMP,WHT,60",1/4" WALL,T2 *iPILOT* *60"* *55 LBS*	1
52	2092600	PIN-DRIVE 1" X 3/8" S/S *55LB THRUST* *3.625*	1
54	2151726	WASHER-5/16 STD (S/S) *55LB THRUST* *3.625*	1
56	2198400	ANODES, ZINC, 3.25/3.62" LWR UNT *55LB THRUST* *3.625*	1
58	2091160	PROP-WW2 (3-5/8") REAMED *55LB THRUST* *3.625*	1
60	975-040	SPRING - TORSION *3.625* *55LB THRUST*	2
62	640-151	LEADWIRE RED 10 AWG 70.375 GPT *54"* *55 LBS*	1
	640-156	LEADWIRE RED 10 AWG 76.375 *iPILOT* *60"* *55 LBS* *M*	1
64	640-023	LEADWIRE BLK 10 AWG 69" GPT *54"* *55 LBS*	1
	640-056	LEADWIRE BLK 10 AMP 75" GPT *iPILOT* *60"* *55 LBS* *M*	1
66	188-036	BRUSH ASSEMBLY *3.625* *55LB THRUST*	2
68	738-036	BRUSH PLATE WITH HOLDER 3.625 *3.625* *55LB THURST*	1
70	725-050	PAPER TUBE - BRUSH RETENTION *3.625* *55LB THRUST*	1
72	2-100-146	ARM ASY 12V 3.62 55#CB/LS *55LB THRUST* *3.625*	1
74	✘	CTR HSG ASY 3.6 SW/CB/W-MG *55LB THRUST* *3.625*	1
76	421-350	HSG BRSH END 3.62 SW CB/WHITE *55LB THRUST* *3.625*	1
78	2-400-337	PLAIN END HSG ASY 3.6 TX/W *55LB THRUST* *3.625*	1
80	337-036	GASKET *55LB THRUST* *3.625*	1
82	701-008	O-RING *55LB THRUST* *3.625*	2
84	701-081	O-RING *55LB THRUST* *3.625*	1
86	830-007	SCREW, # 8-32 *55LB THRUST* *3.625*	2
88	830-008	THRU BOLT 10-32 x 9.205 *55LB THRUST* *3.625*	2
90	990-067	WASHER - STEEL THRUST *55LB THRUST* *3.625*	1
92	990-070	WASHER - NYLATRON *55LB THRUST* *3.625*	1
94	788-015	RETAINING RING *3.625*	1
96	880-003	SEAL	1
98	880-006	SEAL WITH SHIELD	1
100	144-049	BEARING-FLANGE	1
102	725-035	PAPER TUBE - SEAL BORE	1

● Only available with models factory installed with CoPilot.

◆ Only available with models factory installed with i-Pilot.

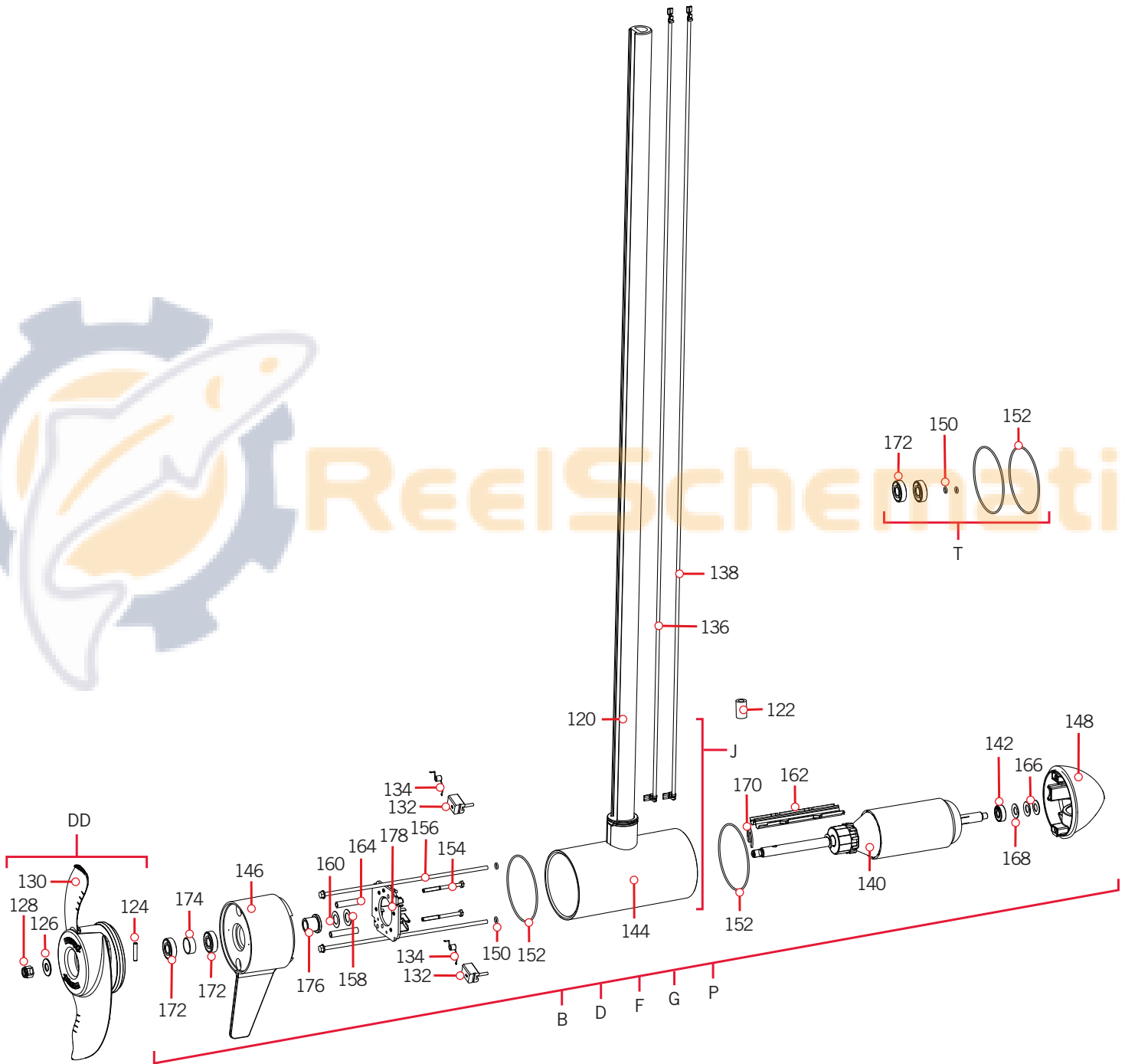
▲ Not shown on Parts Diagram.

● Only available with models factory installed with i-Pilot Link.

✘ This part is included in an assembly and cannot be ordered individually.

PARTS DIAGRAM & PARTS LIST

▶ 24 Volt 4" Motor Parts Diagram



PARTS DIAGRAM & PARTS LIST

24 Volt 4" Motor Parts List

Assembly	Part #	Description	Quantity
B	2777034	MTR/TUBE ASM 80# 54" TRV BT *MOTOR & TUBE* *54* *4* *COPILOT*	1
F	2777035	MTR/TUBE ASM 80# 54" TRV-M BT *MOTOR & TUBE* *54* *4* *EUROPE ONLY*	1
D	2777036	MTR/TUBE ASM 80# 60" RT TRV BT *MOTOR & TUBE* *60* *4*	1
G	2777037	MTR/TUBE 80# 60" RT TRV-M BT *MOTOR & TUBE* *60* *4* *EUROPE ONLY*	1
P	2777042	MTR/TUBE ASM 80# 72" *MOTOR & TUBE* *72* *4* *EUROPE ONLY*	1
J	2777398	CTR HSG,CB,80#,SW, UP TO 60" *TUBE* *4*	1
DD	1378132	PROP IND 233160 WDLS WDG II *4* *80LB THRUST*	1
T	2889460	SEAL & O-RING KIT *80LB THRUST* *4*	1
Item	Part #	Description	Quantity
120	✘	TUBE-COMP,WHT,54",1/4", "M",T2 *54"*	1
	✘	TUBE-COMP,WHT,60",1/4", "M",T2 *60"*	1
	✘	TUBE-COMP,WHT,60",1/4", WALL,T2 *60"*	1
	✘	TUBE-COMP,WHT,72",1/4", "M",T2 *72"*	1
	✘	TUBE-COMP,WHT,72",1/4" WALL,T2 *72"*	1
122	2307312	BEAD-FERRITE *M SKU* *EUROPE ONLY*	1
124	2262658	PIN-DRIVE *80LB THRUST* *4*	1
126	2091701	WASHER-PROP (LARGE) *80LB THRUST* *4*	1
128	2198401	ANODES, ZINC, 4.0"LWR UNIT *80LB THRUST* *4*	1
130	2331160	PROP-WW2 (4) w/ADP.RING *4* *80LB THRUST*	1
132	188-094	BRUSH W/TERMINAL *4* *80LB THRUST*	2
134	975-041	SPRING - TORSION *4* *80LB THRUST*	2
▲	✘	RIVET - .25" *4* *80LB THRUST*	6
136	640-133	LEADWIRE RED 10AWG 66-1/4 XLP *COPILOT* *54"*	1
	640-126	LEADWIRE RED 10AWG 71" XLP *60"*	1
	640-155	LEADWIRE RED 10AWG 83.625 XLP *72"*	1
138	640-025	LEADWIRE BLK 10 AWG 66 3/4 XLP *COPILOT* *54"*	1
	640-022	LEADWIRE BLK 10 AWG 72.5 XLP *60"*	1
	640-053	LEADWIRE BLK 10 AWG 82.375 XLP *72"*	1
▲	✘	BRUSH HOLDER *4* *80LB THRUST*	2
▲	✘	CONNECTOR 1/4 MALE TAB QD *4* *80LB THRUST*	2
140	2-100-214	ARM ASSY 24V 4" 80# (WW2) *80LB THRUST* *4.0*	1
142	140-010	BEARING - BALL *80LB THRUST* *4.0*	1
144	✘	CTR HSG ASM 4.0" SW CB MGNTZD *80LB THRUST* *4.0*	1
146	2-300-370	BRUSH END HSG ASY SW/W 4.0 *80LB THRUST* *4.0*	1
148	421-376	HSG PLN END 4" SW WHT BS *80LB THRUST* *4.0*	1

● Only available with models factory installed with CoPilot.

▲ Not shown on Parts Diagram.

✘ This part is included in an assembly and cannot be ordered individually.

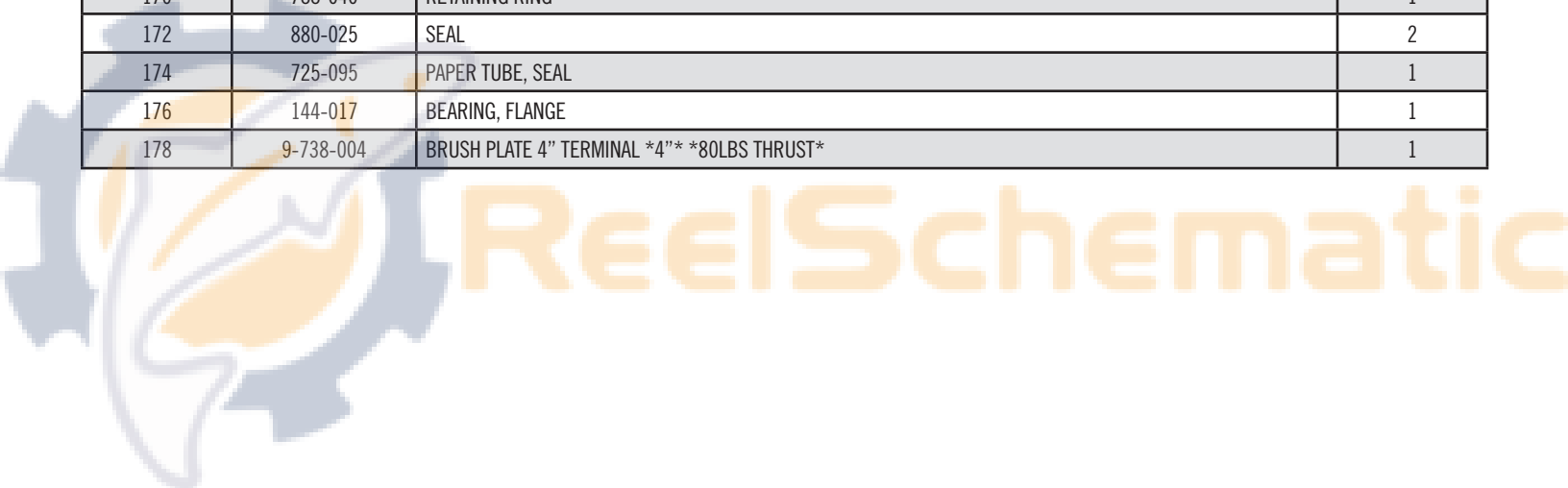
◆ Only available with models factory installed with i-Pilot.

● Only available with models factory installed with i-Pilot Link.

PARTS DIAGRAM & PARTS LIST



Item	Part #	Description	Quantity
150	701-009	O-RING *80LB THRUST* *4.0*	2
152	701-043	O-RING *80LB THRUST* *4.0*	2
154	830-027	SCREW - SELF-THREAD 10-32X2.25 *80LB THRUST* *4.0*	2
156	830-094	THRU BOLT 12-24 x 10.31 *80LB THRUST* *4.0*	2
158	990-051	WASHER - STEEL THRUST *80LB THRUST* *4.0*	1
160	990-052	WASHER - NYLATRON *80LB THRUST* *4.0*	1
162	582-013	CLIP, RETAINING SHORT *80LB THRUST* *4.0*	1
164	973-025	SPACER - BRUSHPLATE *80LB THRUST* *4.0*	2
166	992-010	WASHER - BELLEVILLE *80LB THRUST* *4.0*	2
168	990-045	SPACER - THRUST *80LB THRUST* *4.0*	1
170	788-040	RETAINING RING	1
172	880-025	SEAL	2
174	725-095	PAPER TUBE, SEAL	1
176	144-017	BEARING, FLANGE	1
178	9-738-004	BRUSH PLATE 4" TERMINAL *4"* *80LBS THRUST*	1



● Only available with models factory installed with CoPilot.

▲ Not shown on Parts Diagram.

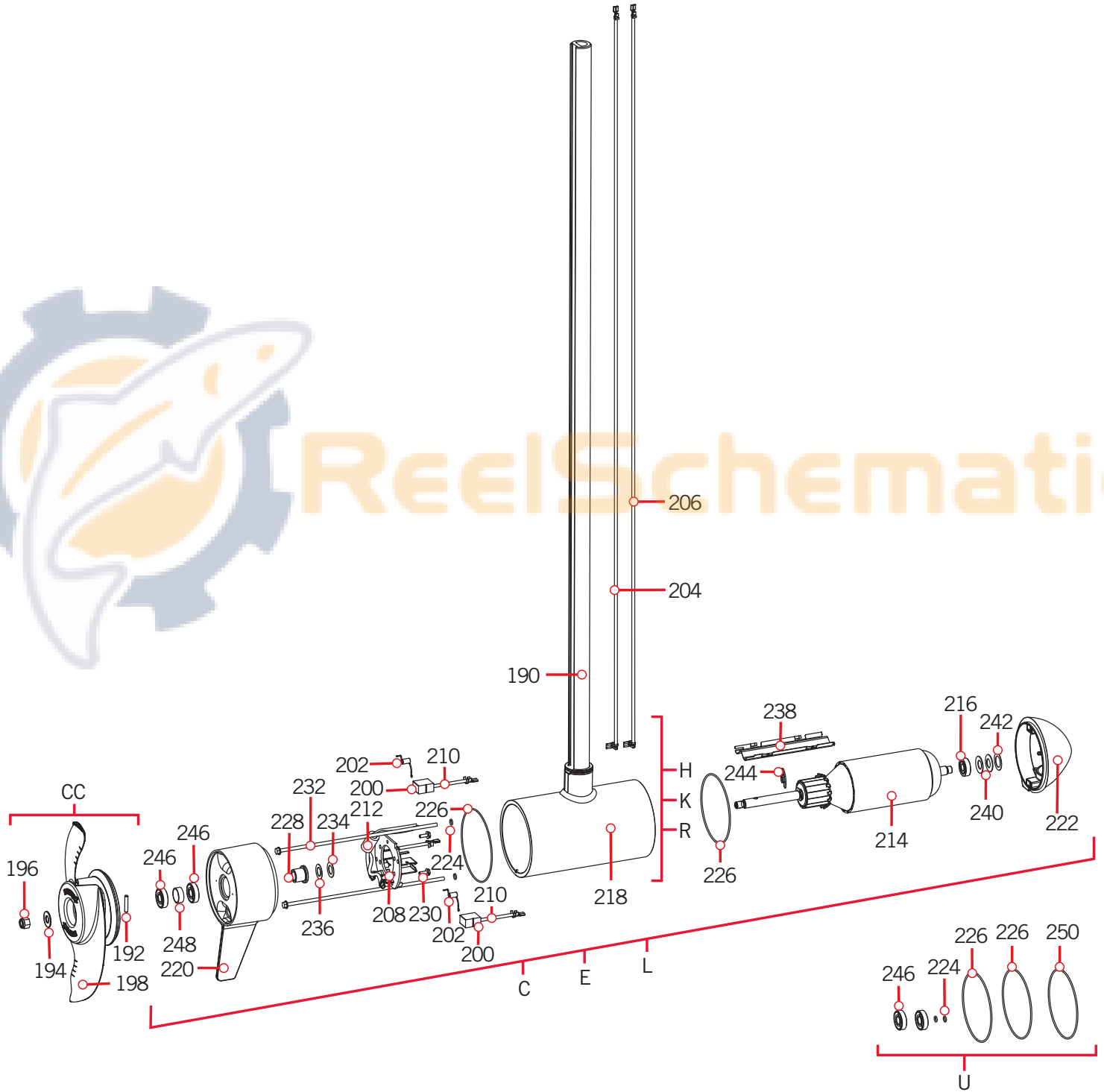
✱ This part is included in an assembly and cannot be ordered individually.

◆ Only available with models factory installed with i-Pilot.

● Only available with models factory installed with i-Pilot Link.



▶ 36 Volt 4.5" Motor Parts Diagram



PARTS DIAGRAM & PARTS LIST

▶ 36 Volt 4.5" Motor Parts List

Assembly	Part #	Description	Quantity
C	2777083	MTR/TUBE 112# 60" RT TRV BT *MOTOR & TUBE* *60* *4.5*	1
E	2777084	MTR/TUBE 112# 72" RT TRV BT *MOTOR & TUBE* *72* *4.5*	1
L	2777198	MTR/TUBE 112# 87" RT TRV BT *MOTOR & TUBE* *87* *4.5*	1
H	2777343	CTR HSG,CB,112#,SW, UP TO 60" *TUBE* *4.5*	1
K	2777344	CTR HSG,CB,112#,SW, 72" *TUBE* *4.5*	1
R	2777356	CTR HSG,CB, 112#, SW, 87" *TUBE* *4.5*	1
CC	1378160	PROP KIT 2341160 112# WW2 *4.5* *112LB THRUST*	1
U	2881450	SEAL & O-RING KIT *112LB THRUST* *4.5*	1
Item	Part #	Description	Quantity
190	✘	TUBE-COMP,WHT,72",1/4" WALL,T2 *72"*	1
	✘	TUBE-COMP,WHT,60",1/4" WALL,T2 *60"*	1
	✘	TUBE-COMP, WHT, 87",, 1/4" WALL *87"*	1
192	2262658	PIN-DRIVE 3/16" DIAMETER LG (SS) *112LB THRUST* *4.5*	1
194	2091701	WASHER-PROP (LARGE) *112LB THRUST* *4.5*	1
196	2198401	ANODES, ZINC, 4.5"LWR UNIT *112LB THRUST* *4.5*	1
198	2341160	PROP-WW2 (4.5") w/ADP.RING *112LB THRUST* *4.5*	1
200	188-095	BRUSH *4.5* *112LB THRUST*	2
202	975-045	SPRING - TORSION *4.5* *112 LB THRUST*	2
▲	✘	RIVET - .25" *4.5* *112LB THRUST*	6
204	640-145	LEADWIRE RED 10AWG 75 7/8" GPT	1
	640-149	LEADWIRE RED 10AWG 88" GPT *72"*	1
	640-157	LEADWIRE RED 10 AWG 100" GPT *87"*	1
206	640-049	LEADWIRE BLK 10AWG 88.50" GPT *72"*	1
	640-045	LEADWIRE BLK 10 AWG 76.5 GPT *60"*	1
	640-057	LEADWIRE BLK 10A 100.5" GPT *87"*	1
▲	✘	BRUSH HOLDER *4.5* *112LB THRUST*	2
208	9-738-011	BRUSH PLATE *4.5* *112LB THRUST*	1
210	2260731	TERMINAL 1/4" MALE TAB-THREE *4.5* *112LB THRUST*	2
212	2307312	BEAD-FERRITE *4.5* *112LB THRUST*	1
214	2-100-245	ARMATURE ASY 4.5"LWR UNIT *112LB THRUST* *4.5*	1
216	140-014	BEARING-BALL 6000 *112LB THRUST* *4.5*	1
218	✘	CTR HSG ASY 4.5" MAG FW CB *112LB THRUST* *4.5*	1
220	2-300-176	BRUSH END HSG ASY 4.5" SW *112LB THRUST* *4.5*	1
222	421-241	PLAIN END HSG 4.5" PNTD SW *112LB THRUST* *4.5*	1
224	701-009	O-RING *112LB THRUST* *4.5*	2
226	701-098	O-RING, 98MM X 2MM *112LB THRUST* *4.5*	2

● Only available with models factory installed with CoPilot.

◆ Only available with models factory installed with i-Pilot.

▲ Not shown on Parts Diagram.

● Only available with models factory installed with i-Pilot Link.

✘ This part is included in an assembly and cannot be ordered individually.

PARTS DIAGRAM & PARTS LIST



Item	Part #	Description	Quantity
228	144-017	BEARING, FLANGE	1
230	2053410	SCREW-#8-32 X 1/2 TRI-LOBE HEX *112LB THRUST* *4.5*	2
232	830-094	THRU BOLT 12-24 X10.31 *112LB THRUST* *4.5*	2
234	990-051	WASHER - STEEL THRUST *4.0* *112LB THRUST* *4.5*	1
236	990-052	WASHER - NYLATRON *112LB THRUST* *4.5*	1
238	582-016	CLIP-RETAINING, SONAR *112LB THRUST* *4.5*	1
240	992-011	WASHER - BELLEVILLE *112LB THRUST* *4.5*	2
242	990-011	WASHER-SHIM OD 1",ID.630"SS *112LB THRUST* *4.5*	1
244	788-040	RETAINING RING	1
246	880-025	SEAL	2
248	725-095	PAPER TUBE, SEAL	1
250	701-007 ✘	O-RING, 107 MM X 1.78MM, 70 BUNA	1



● Only available with models factory installed with CoPilot.

▲ Not shown on Parts Diagram.

✘ This part is included in an assembly and cannot be ordered individually.

◆ Only available with models factory installed with i-Pilot.

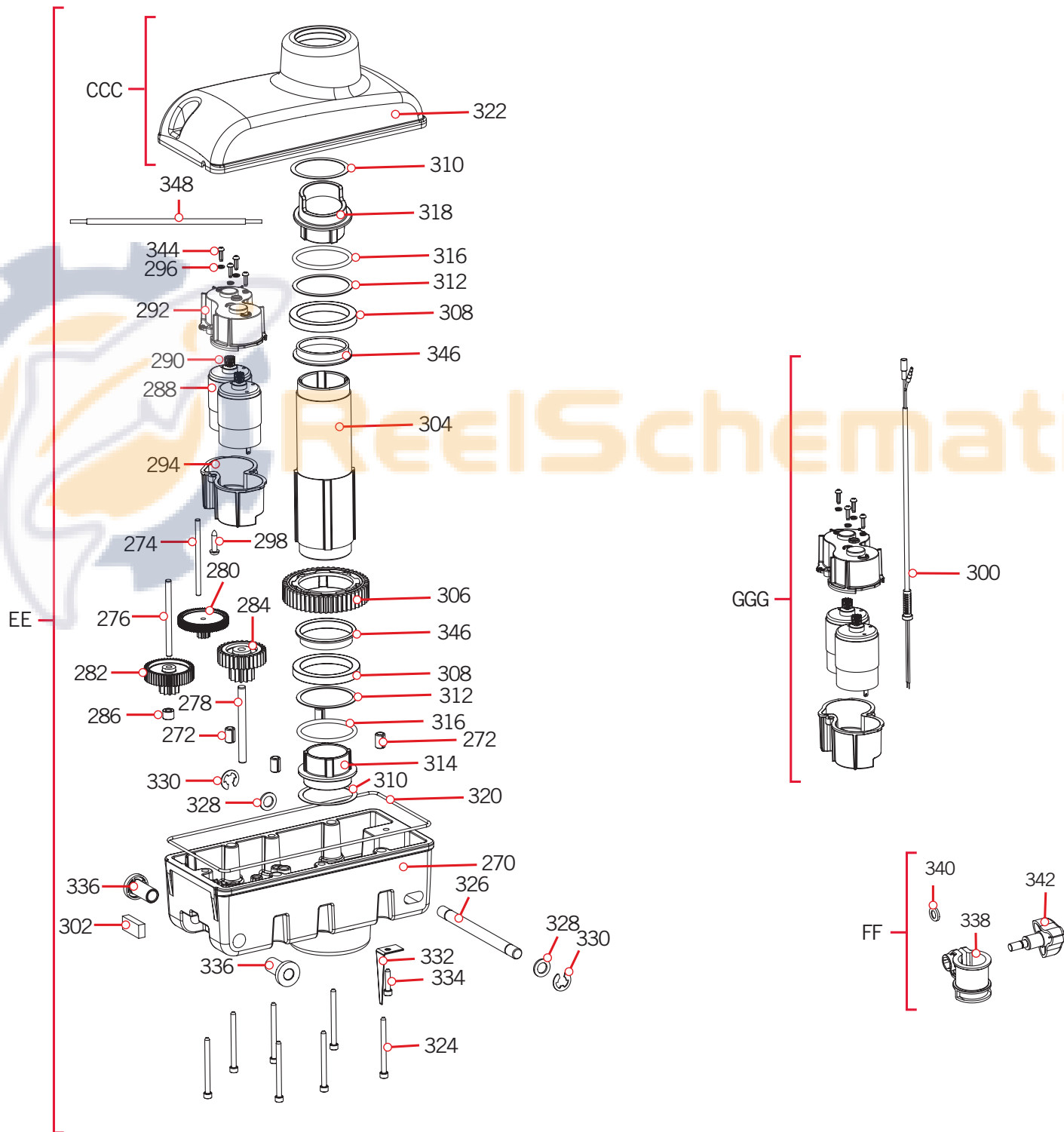
● Only available with models factory installed with i-Pilot Link.



PARTS DIAGRAM & PARTS LIST

RIPTIDE TERROVA STEERING HOUSING >

> 87" Motor Steering Housing Parts Diagram



87" Motor Steering Housing Part List

Assembly	Part #	Description	Quantity
EE	2997028	STEERING HSG ASM 36V 112 SW *87**	1
GGG	2777063	STEERING MOTOR KIT, 36V SW T2	1
CCC	2776562	STEERING HSG TOP SW / GEAR KIT	1
FF	2771500	DEPTH COLLAR/KNOB ASSY	1
Item	Part #	Description	Quantity
270	2326567	STEERING HSG,BTTM,SW,WHT	1
272	✘	PIN-ROLL 5/16" X 1/2"	4
274	✘	SHAFT-GEAR, FIRST CLUSTER	1
276	✘	SHAFT-GEAR,INTERMED.CLUSTER	1
278	✘	SHAFT-GEAR, THIRD CLUSTER	1
280	2322210	GEAR & PINION,DR. HSG, STAGE 2	1
282	2302250	GEAR & PINION,DR. HSG, STAGE 3	1
284	2302255	GEAR & PINION,DR. HSG, STAGE 4	1
286	2321730	SPACER,GEAR CLUSTER	1
288	✘	MOTOR, STEERING 36V FW T2	2
290	2322215	PINION GEAR, DR.HSG, STAGE 1	2
292	2322521	CASE-MTR, STEER HSG, TOP w/HOLES *36 VOLT*	1
294	2322525	CASE-MOTOR,STRG HSG,BTM	1
296	2051710	SPLIT LOCK WASHER 3MM	4
298	2043412	SCREW-#8-18 X 3/4 TY AB SS PPH	1
300	✘	LEADWIRE,STEERING MOTOR	1
302	2308601	BREATHER FILTER, DR.HOUSING	1
304	2322031	TUBE-OUTPUT, SALTWATER	1
306	2322200	GEAR-OUTPUT	1
308	2327315	BUSHING,ALUMIN. SPACER ST	2
310	2321704	WASHER-THRUST, STEERING	2
312	2321720	SHIM,O-RING	2
314	2321510	COLLAR-DRIVE,BOTTOM	1
316	2324608	O-RING,224, STR HSG	2
318	2321515	LINER OUTPUT TUBE	1
320	2324604	O-RING, CASE SEAL	1
322	✘	HOUSING-STEERING, TOP, SW	1
324	2323408	SCREW-#8-32 X 2.0 SHCS SS	7
326	2322601	PIN-LATCH, SS	1
328	2321702	WASHER-FLAT .375 NYLON	2
330	2263011	E-RING 3/8 DIA. SHAFT	2

● Only available with models factory installed with CoPilot.

◆ Only available with models factory installed with i-Pilot.

▲ Not shown on Parts Diagram.

● Only available with models factory installed with i-Pilot Link.

✘ This part is included in an assembly and cannot be ordered individually.

PARTS DIAGRAM & PARTS LIST



Item	Part #	Description	Quantity
332	2322702	SPRING, LATCH PIN SS	2
334	2323410	SCREW-#8-32 X .75 SHCS SS	1
336	2327310	BUSHING, PIVOT PIN	2
338	2321500	DEPTH COLLAR 1.3	1
340	2321702	WASHER-FLAT .375 NYLON	1
342	2260906	KNOB-SOFT GRIP,HG/DR,SS	1
344	2053422	SCREW-M3-.5 X 10 PPH, ZPS	4
346	2327314	BUSHING, PRO STEERING SW	2
348	2320321	WIRE EXTENSION, 112" THRUST MOTOR	1
▲	2325502	DECAL, STOW / DEPLOY, T2	1



ReelSchematic

● Only available with models factory installed with CoPilot.

▲ Not shown on Parts Diagram.

✘ This part is included in an assembly and cannot be ordered individually.

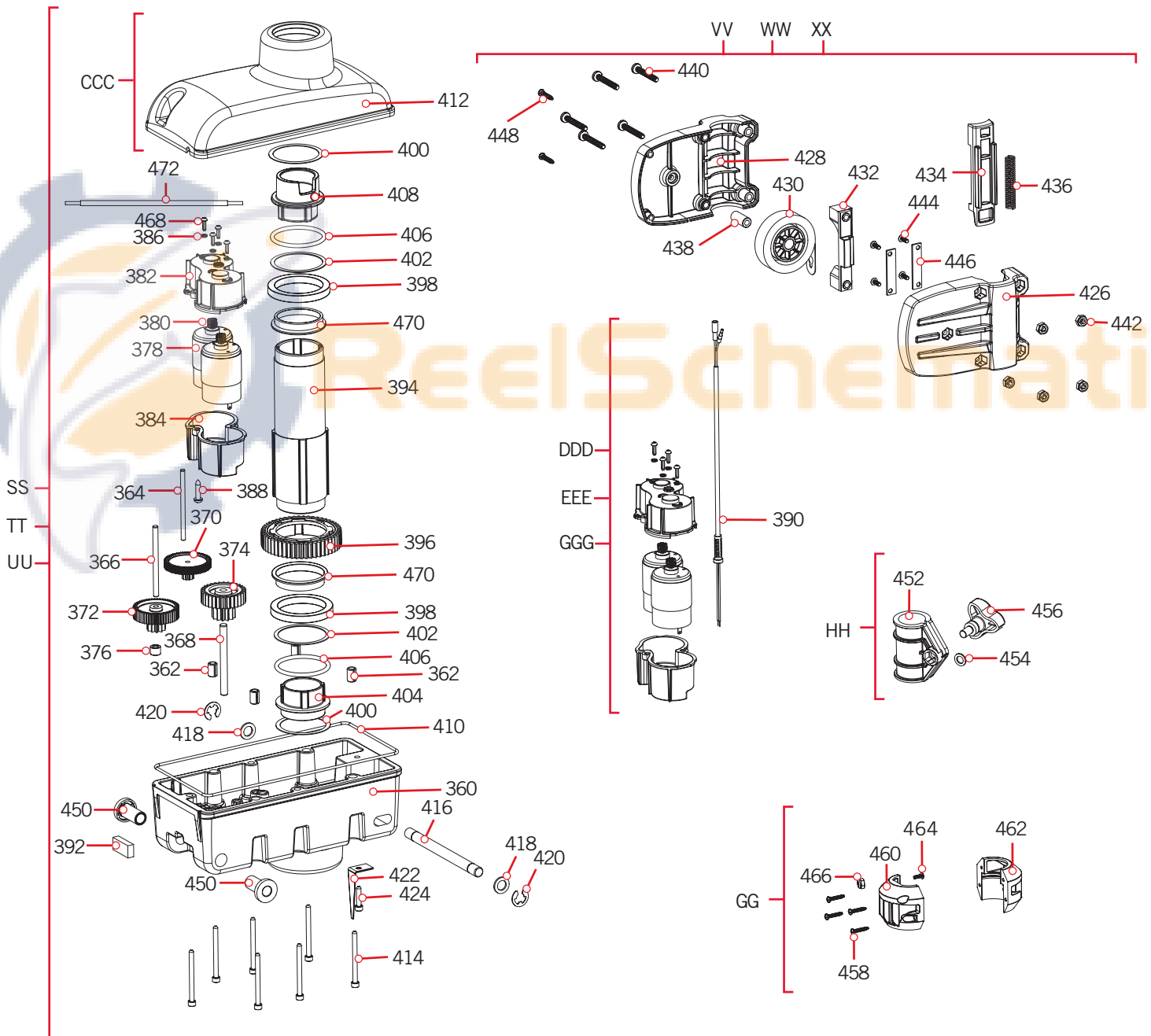
◆ Only available with models factory installed with i-Pilot.

● Only available with models factory installed with i-Pilot Link.



RIPTIDE TERROVA STEERING HOUSING >

> 54", 60" & 72" Motor Steering Housing & Lift Assist Parts Diagram



PARTS DIAGRAM & PARTS LIST

54", 60" & 72" Motor Steering Housing & Lift Assist Parts List

Assembly	Part #	Description	Quantity
SS	2997064	STEERING HSG ASM 12V SW	1
TT	2997065	STEERING HSG ASM 24V SW	1
UU	2997063	STEERING HSG ASM 36V SW	1
VV	2992730	LIFT ASSIST, 55# SW	1
WW	2992731	LIFT ASSIST, 80# SW	1
XX	2992732	LIFT ASSIST, 112# SW	1
CCC	2776562	STEERING HSG TOP SW / GEAR KIT	1
DDD	2777060	STEERING MOTOR KIT, 12V T2	1
EEE	2777061	STEERING MOTOR KIT, 24V T2	1
GGG	2777063	STEERING MOTOR KIT, 36V SW T2 *DUAL MOTOR*	1
GG	2771523	COLLAR-FRONT/BACK, LFT ASST KIT	1
HH	2771505	DEPTH COLLAR KIT, TERROVA BT	1
Item	Part #	Description	Quantity
360	2326567	STEERING HSG,BTTM,SW,WHT	1
362	✘	PIN-ROLL 5/16" X 1/2"	4
364	✘	SHAFT-GEAR, FIRST CLUSTER	1
366	✘	SHAFT-GEAR,INTERMED.CLUSTER	1
368	✘	SHAFT-GEAR, THIRD CLUSTER	1
370	2322210	GEAR & PINION,DR. HSG, STAGE 2	1
372	2302250	GEAR & PINION,DR. HSG, STAGE 3	1
374	2302255	GEAR & PINION,DR. HSG, STAGE 4	1
376	2321730	SPACER,GEAR CLUSTER	1
378	✘	MOTOR, STEERING 12V FW T2 *SEE DDD*	1
	✘	MOTOR, STEERING 24V FW T2 *SEE EEE*	1
	✘	MOTOR, STEERING 36V FW T2 *SEE GGG*	2
380	2322215	PINION GEAR, DR.HSG, STAGE 1	1
382	2322520	CASE-MOTOR,STRG HSG, TOP *12 VOLT* *24 VOLT*	1
	2322521	CASE-MTR, STEER HSG, TOP w/HOLES *36 VOLT*	1
384	2322525	CASE-MOTOR,STRG HSG,BTM	1
386	2051710	SPLIT LOCK WASHER 3MM	4
388	2043412	SCREW-#8-18 X 3/4 TY AB SS PPH	1
390	✘	LEADWIRE,STEERING MOTOR *SEE DDD, EEE OR GGG*	1
392	2308601	BREATHER FILTER, DR.HOUSING	1
394	2322031	TUBE-OUTPUT, SALTWATER	1
396	2322200	GEAR-OUTPUT	1
398	2327315	BUSHING,ALUMIN. SPACER ST	2

● Only available with models factory installed with CoPilot.

▲ Not shown on Parts Diagram.

✘ This part is included in an assembly and cannot be ordered individually.

◆ Only available with models factory installed with i-Pilot.

● Only available with models factory installed with i-Pilot Link.

PARTS DIAGRAM & PARTS LIST



Item	Part #	Description	Quantity
400	2321704	WASHER-THRUST, STEERING	2
402	2321720	SHIM,O-RING	2
404	2321510	COLLAR-DRIVE,BOTTOM	1
406	2324608	O-RING,224, STR HSG	2
408	2321530	LINER OUTPUT TUBE, LIFT ASSIST	1
410	2324604	O-RING, CASE SEAL	1
412	✘	HOUSING-STEERING, TOP, SW	1
414	2323408	SCREW-#8-32 X 2.0 SHCS SS	7
416	2322601	PIN-LATCH, SS	1
418	2321702	WASHER-FLAT .375 NYLON	2
420	2263011	E-RING 3/8 DIA. SHAFT	2
422	2322702	SPRING, LATCH PIN SS	2
424	2323410	SCREW-#8-32 X .75 SHCS SS	1
426	2326546	HOUSING-RIGHT,LIFT ASSIST, SW	1
428	2326541	HOUSING-LEFT, LIFT ASSIST, SW	1
430	2997903	ASSEMBLY-HUB/SPRING, 55# INCNL	1
	2997904	ASSEMBLY-HUB/SPRING, 80# INCNL	1
	2997905	ASM-HUB/SPRING,112# INCN	1
432	2322300	GUIDE,DR.DOG, LIFT ASSIST	1
434	2328605	ENGAGEMENT DOG, LIFT ASST	1
436	2322726	SPRING,COMPRESSION,.360" OD SS	1
438	2322610	PIN-AXLE, LIFT ASSIST	1
440	2323430	SCREW-#10-24 X 1-3/8, PPH	5
442	2333101	NUT-HEX #10-24 UNC-2B NYL SS	5
444	2372103	SCREW-#6 X .375 PLASTITE SS	4
446	2321955	BRACKET, LIFT ASSIST	2
448	3393450	SCREW-#6-19 X .75 PPH HI-LO	2
450	2327310	BUSHING, PIVOT PIN	2
452	2321505	DEPTH COLLAR, LIFT ASSIST	1
454	2321702	WASHER-FLAT .375 NYLON	1
456	2260906	KNOB-SOFT GRIP,HG/DR,SS	1
458	3393450	SCREW-#6-19 X.75 PPH HI-LOW SS	4
460	2321523	COLLAR-FRONT, LIFT ASSIST, SW	1
462	2321527	COLLAR-BACK, LIFT ASSIST, SW	1
464	2372103	SCREW-#6 X .375 PLASTITE SS	1
466	2323110	NUT-HEX, 6-32 NYLOK SS	1
468	2053422	SCREW-M3-.5 X 10 PPH, ZPS	4

● Only available with models factory installed with CoPilot.

▲ Not shown on Parts Diagram.

✘ This part is included in an assembly and cannot be ordered individually.

◆ Only available with models factory installed with i-Pilot.

● Only available with models factory installed with i-Pilot Link.



PARTS DIAGRAM & PARTS LIST



Item	Part #	Description	Quantity
470	2327314	BUSHING, PRO STEERING SW	2
472	2320321	WIRE EXTENSION, 112" THRUST MOTOR	1
▲	2325502	DECAL, STOW / DEPLOY, T2	1



● Only available with models factory installed with CoPilot.

▲ Not shown on Parts Diagram.

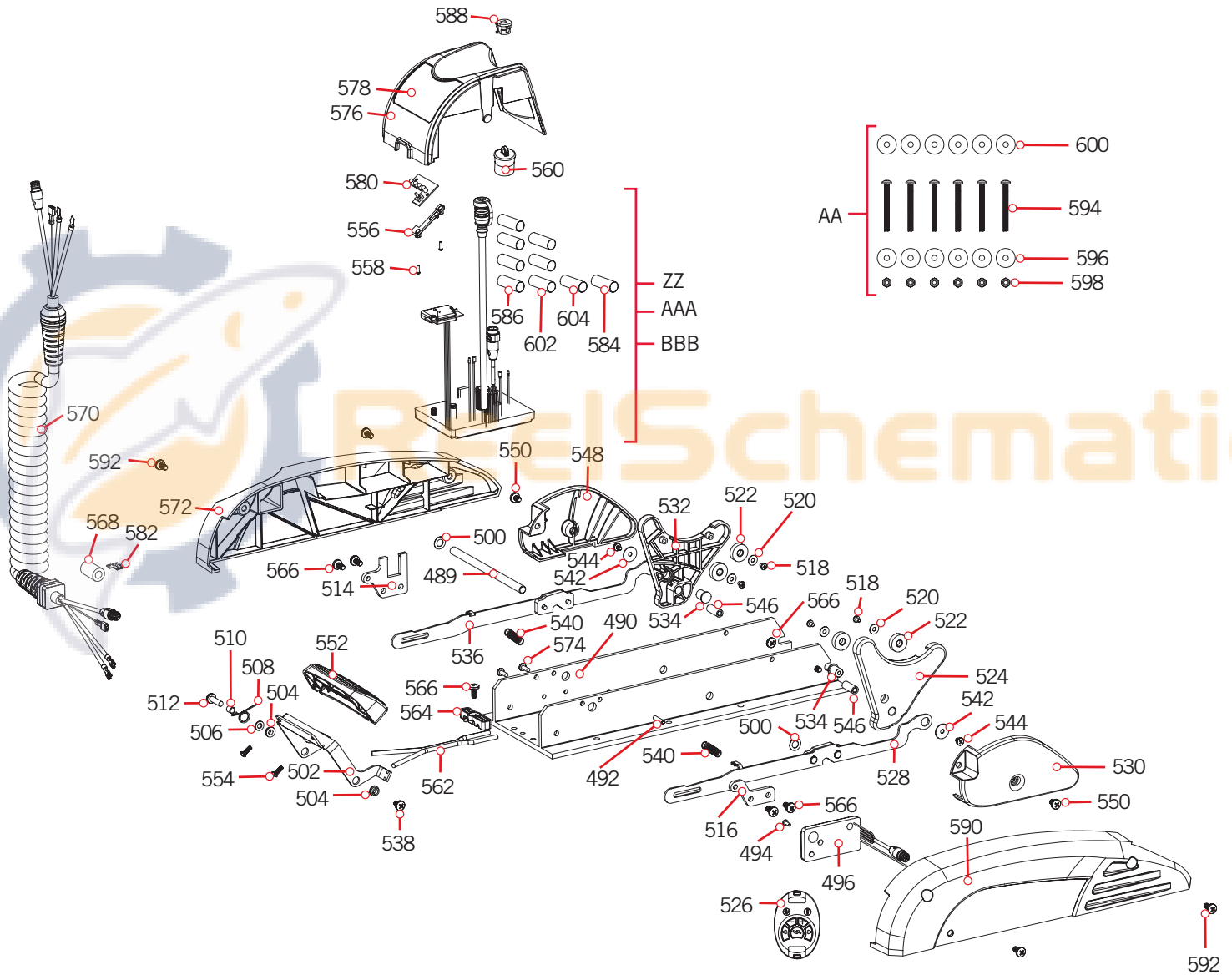
✘ This part is included in an assembly and cannot be ordered individually.

◆ Only available with models factory installed with i-Pilot.

● Only available with models factory installed with i-Pilot Link.

RIPTIDE TERROVA MOUNT

Mount Parts Diagram



PARTS DIAGRAM & PARTS LIST

Mount Parts List

Assembly	Part #	Description	Quantity
ZZ	2774066	CTRL BRD, 24/36V TRV BT w/SHRNK	1
AAA	2774067	CTRL BRD, 12V TRV BT w/SHRNK *i-PILOT/i-PILOT LINK*	1
BBB	2774069	CTRL, BRD, 24/36V IP TRV BT, SHRNK *i-PILOT/i-PILOT LINK*	1
AA	2994864	BAG ASSY-TERROVA/V2,MNTG HDW	1
Item	Part #	Description	Quantity
490	2321908	BASE-EXTRUSION, MACH, SW	1
492	2322912	PIN-ROLL .1875 X 1.000 SS	2
494	2332103 ●	SCREW-#8-18 X 1/2 (SS) *COPILOT*	1
496	2374197 ●	PCB ASY COPLT REC. TERROVA *COPILOT*	1
498	2322603	PIN-PIVOT, SS	1
500	2333100	NUT-SPEED (SS) 3HP-SS	2
502	2320406	HANDLE, RELEASE, SW	1
504	2322604	BUSHING,HANDLE,GOBEIL	2
506	2071716	WASHER-FLAT SS .253 x .470	1
508	2322701	SPRING, TORSION	1
510	2301700	SPACER-RELEASE LEVER-BRASS	1
512	2073408	SCREW-1/4-20 X 7/8 PPH S/S	1
514	2321941	BRACKET, STRAIN RELIEF SW	1
516	2321951	BRACKET, SIDEPLATE SW	1
518	2323412	SCREW-#8-18 X .25 PPH SS TY B	4
520	2321706	WASHER-FLAT #8 .50 OD/.188 SS	4
522	2325117	PAD, RUBBER REST, WHITE	4
524	2323910	RAMP-MOTOR, RIGHT 3-5/8"	1
	2323930	RAMP-MOTOR, RIGHT 4"	1
	2323931	RAMP-MOTOR, RIGHT 4.5"	1
526	2374197 ●	PCB ASY COPLT REC. TERROVA *COPILOT*	1
528	2994201	ARM/SUPPORT BLOCK ASSY,R,SW	1
530	2321920	PLATE-SKID, RIGHT FW *80 LBS* *55 LBS*	1
	2321922	PLATE-SKID, RIGHT *112 LBS*	1
532	2323915	RAMP-MOTOR, LEFT 3 5/8"	1
	2323935	RAMP-MOTOR, LEFT 4"	1
	2323936	RAMP-MOTOR, LEFT 4.5"	1
534	2324706	INSERT-MOTOR RAMP,METAL,SS	2
536	2994203	ARM/SUPPORT BLOCK ASSY,L,SW	1
538	2332104	SCREW-1/4-20 X 5/8 S/S	1

● Only available with models factory installed with CoPilot.

▲ Not shown on Parts Diagram.

* This part is included in an assembly and cannot be ordered individually.

◆ Only available with models factory installed with i-Pilot.

● Only available with models factory installed with i-Pilot Link.

PARTS DIAGRAM & PARTS LIST



Item	Part #	Description	Quantity
540	2322716	SPRING, EXTENSION, T2	2
542	2321700	WASHER #10 SS	2
544	2323422	SCREW-#10-24 X .25" PPH SS MCH	2
546	2322921	STAND-OFF, ALUM. ANODIZED	2
548	2321925	PLATE-SKID, LEFT *80 LBS* *55 LBS*	1
	2321927	PLATE-SKID, LEFT *112 LBS*	1
550	2323403	SCREW-1/4-20 X.375 MCH SS CRPH	3
552	2320218	COVER, HANDLE COSMETIC SW	1
554	2383446	SCREW-#8-16 X .50" PLASTITE SS	2
556	2320830	LOCKING TAB,PWR/BAT.METER	1
558	2383428	SCREW-#4-24 X 3/8 HI-LO SS	2
560	2320202	CAP-DUST,CONNECTOR, MALE	1
▲	2323406	SCREW-#10-24 X .50 CRPH SS	2
562	2090651	LEADWIRE,10 GA	1
564	2321310	STRAIN RELIEF	1
566	2323405	SCREW-1/4-20 X 1/2" MCH SS	5
568	2307312	BEAD-FERRITE	1
570	2991271	COIL CORD ASY 54"/60" NON-US2 *54"* *60"*	1
	2991275	COIL CORD ASY 72" NON-US * 72"* *112 LBS*	1
	2991277	COIL CORD ASM 84" NON-US * 87"* *112 LBS*	1
572	2323928	SIDEPLATE-LEFT, RT TERROVA	1
574	2323402	SCREW-1/4-20 X .375 T-L, ZP	2
576	2326531	HOUSING-CENTER, RT/ST	1
578	2325658	DECAL,BM/CN/PWR STATUS SW	1
580	2074080	BATTERY METER, 12V, SW	1
	2074081	BATTERY METER, 24V, SW	1
	2074082	BATTERY METER, 36V, SW	1
▲	2321721	SHIM, 2 X 4 X .025"	1
582	2320710	TERMINAL-AMP (T-TAB)	1
584	2325401	SHRINK TUBE-.375 OD X 2.25"	1
▲	2321315	HOLDER-CONNECTOR,NYLON,BLACK	1
586	2305403	SHRINK TUBE-.500 IDX1.0" ADHSV *SALTWATER*	4
588	2322901	STRAIN RELIEF, HEYCO P/N 1852	1
590	2323923	SIDEPLATE-RIGHT, RT/ TERROVA	1
592	2323405	SCREW-1/4-20 X 1/2" T-L SS	4
594	2263462	SCREW-1/4-20 X 2" S/S PPH ADJT	6
596	2261713	WASHER-1/4 FLAT 18-8 SS	6

● Only available with models factory installed with CoPilot.

▲ Not shown on Parts Diagram.

* This part is included in an assembly and cannot be ordered individually.

◆ Only available with models factory installed with i-Pilot.

● Only available with models factory installed with i-Pilot Link.



PARTS DIAGRAM & PARTS LIST



Item	Part #	Description	Quantity
598	2263103	NUT-1/4-20 NYLOCK SS	6
600	2301720	WASHER-MOUNTING - RUBBER	6
602	2305410	SHRINK TUBE-.315 OD X 2.25" *SALTWATER*	3
604	2305415	SHRINK TUBE-.472 ID X 2.25" *SALTWATER*	1



ReelSchematic

● Only available with models factory installed with CoPilot.

▲ Not shown on Parts Diagram.

✱ This part is included in an assembly and cannot be ordered individually.

◆ Only available with models factory installed with i-Pilot.

● Only available with models factory installed with i-Pilot Link.

